

User and Installation Guide

iFinity)))™ Digital Wireless Audio Transmitter

Amphony®

Contents:

Unpacking	1
Connecting the transmitter	1
Pairing the transmitter and wireless devices	6
Setting the transmitter level control	7
Troubleshooting	8
Technical specifications	9
Safety information	10
Limited warranty	11

Unpacking: Check that this package contains:

One audio transmitter, one AC adapter, one audio cable, two speaker cables

Step 1 **Connecting the transmitter**

With the transmitter, you can send music from your iPod / iPhone or from any audio source that either provides a line-level audio signal or amplified speaker level signal.

Depending on what type of audio signal you wish to transmit, follow one of the below guidelines:

a) Transmit music from an iPod / iPhone

Place your iPod or iPhone into the iPod cradle located at the top of the transmitter. Ensure the iPod / iPhone display faces towards the front of the transmitter.

b) Transmit music from a line-level audio source or MP3 player

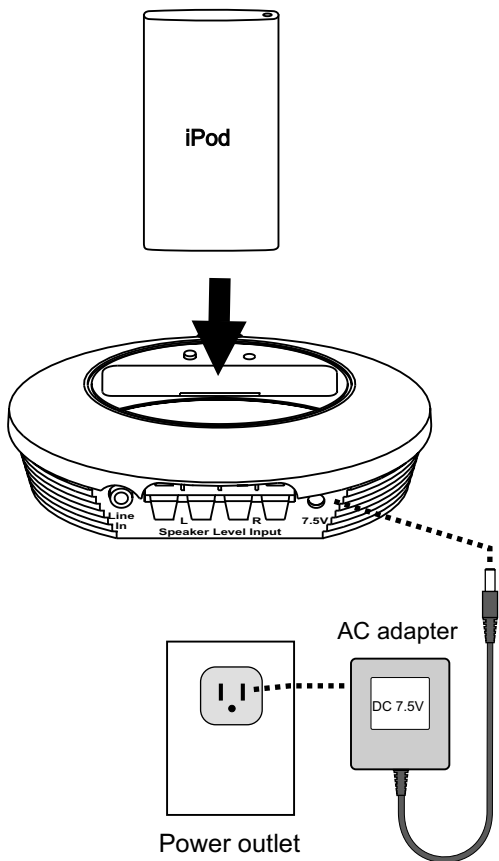
Attach one of the small silver jacks of the supplied audio cable to the line level audio input of the transmitter. Then connect the other jack to your audio source.

c) Transmit music from an amplified source

In order to transmit music from an amplified audio source, attach the two supplied speaker cables to the speaker outputs of your source and then to the speaker jack of the transmitter. Please ensure the correct polarity of the cable.

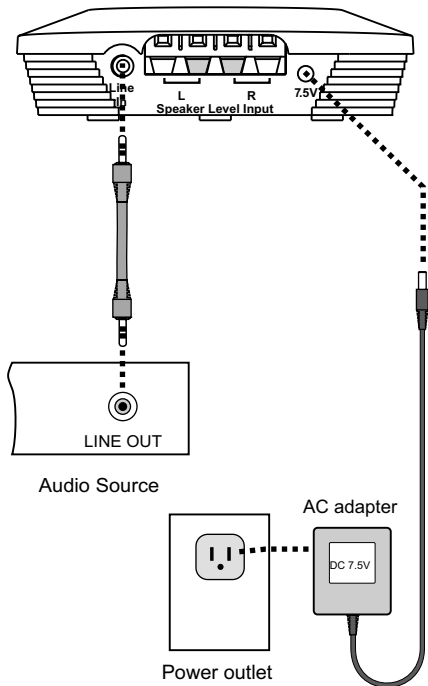
The transmitter can also be connected to other audio outputs by using an appropriate adapter.

Finally, connect the supplied small AC adapter's barrel-shaped plug into the DC 7.5V jack, and then plug the transformer into a standard AC outlet. We recommend the use of a surge protector to protect the transmitter from power surges.

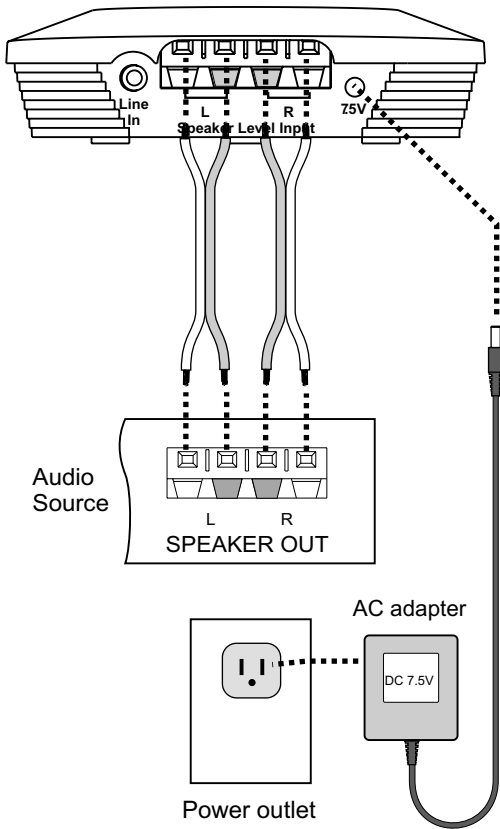


Example: Transmitting music from an iPod

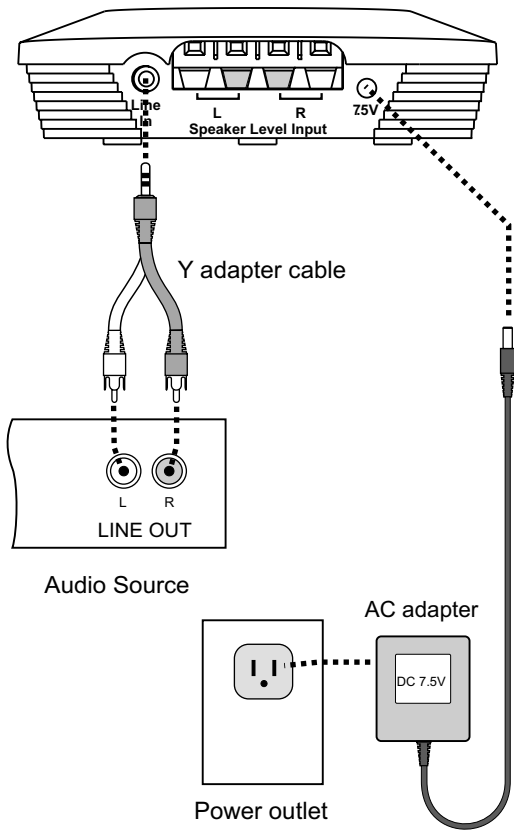
Using the transmitter line audio input:



Example: Connecting to a line-level audio source (3.5 mm headphone jack)



Example: Connecting the transmitter to an amplified audio source



Example: Connecting the transmitter to a line-level audio source (RCA jacks) using a Y adapter cable

Step 2 Pairing the transmitter and wireless devices

In order for the transmitter to transmit to wireless devices (audio receivers, wireless speakers etc.), they need to be paired. To pair the transmitter and a wireless device, push the transmitter pairing button. The network status light will start flashing quickly.

Then push the pairing button of the wireless device within 5 minutes.

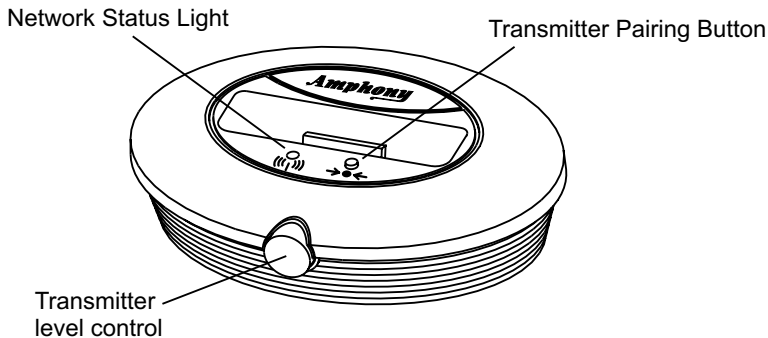
You can transmit to up to 4 wireless devices from one transmitter. Pair each wireless device as shown above.

Description of the network status light

Flashing Slowly: No paired wireless device detected

Flashing Quickly: Pairing Mode

Always On: Audio is being streamed



Step 3 **Setting the transmitter level control**

The transmitter performs advanced analog-to-digital conversion of the audio signal. In order to achieve maximum dynamic range and avoid clipping of the audio, the transmitter level control must be adjusted to your audio source.

In order to properly set the transmitter level control, turn the volume control of the wireless device to a fairly low setting. Then feed a signal with the highest possible volume into the transmitter. Set the transmitter level control to the highest level while there is still no clipping / distortion of the audio signal. Then set the volume control of the wireless device your desired level.

If the transmitter level control is set too low, the dynamics of the transmission are not fully used. If the level control is set too high, audio clipping (distortion) will occur inside the transmitter during the analog-to-digital conversion.

If the transmitter or wireless device are not used for an extended period of time, remove the AC adapters from the power outlet.

Troubleshooting

If there is no audio at the wireless device, check the transmitter network status light then choose from the following problems:

<u>Problem</u>	<u>Possible Cause</u>	<u>Solution</u>
Network status light is OFF	AC adapter not plugged in properly	Check AC adapter for proper fit and mains outlet for power
Network status light is FLASHING	Wireless device not paired with transmitter	Pair the wireless device with the transmitter
	Strong interference	Try eliminating interference at 2.4 GHz (wireless LANs, cordless phones), try relocating the transmitter or wireless device to improve reception
	Wireless device too close to transmitter	Make sure the wireless device is at least 5 ft away from the transmitter
Network status light is ON	Transmitter level control set too low	Adjust the transmitter level control
	Wireless device volume control too low	Adjust the volume control of the wireless device
	No audio at transmitter	Verify that audio is supplied to the transmitter, check the audio connection to the transmitter

Technical Specifications

Audio transmission: Digital, uncompressed, bidirectional, adaptive FHSS

Transmitter frequency: 2.4 GHz

Transmitter operating range:

max. 600 ft. line of sight, max. 150 ft. through walls and ceilings

Max. number of wireless devices: 4

Frequency response: 2 Hz ... 20 kHz

Signal-to-noise ratio: 91 dB (A-weighted)

Total harmonic distortion: typ. -90 dB

Transmitted data rate: 5 Mbps

Overall audio latency: 18 ms

Channel separation: typ. 90 dB

Copyright (C) 2011 Amphony. All rights reserved.

The information contained herein is subject to change without notice. Revisions may be issued to advise of such changes and/or additions.

All product names, trade names, or corporate names mentioned in this document are acknowledged to be the proprietary property of the registered owners.

FCC ID: PMJTX1

This device complies with part 15 of the FCC Rules. Operation is subjected to the following two conditions: 1) This device may not cause harmful interference and 2) this device must accept any interference received, including interference that may cause undesired operation.

Caution: Any changes or modifications not expressly approved by the party responsible for compliance could void the user's authority to operate the equipment.

IMPORTANT SAFETY INFORMATION

**READ THESE SAFETY INSTRUCTIONS CAREFULLY AND
HEED ALL WARNINGS IN THIS MANUAL.**

ATTENTION!



POWER SOURCE

- This product has been designed to work with 120-volt AC current using the supplied AC adapter. Connection to a line voltage other than that or use of non-compatible AC adapter may create a safety and fire hazard and may damage the product.
- Do not run power cords under rugs or carpets or place heavy objects on them.
- Damaged or deformed power cords are hazardous and should be replaced immediately by a qualified service technician.

LOCATION

- Do not use this product outdoors or in cars.
- Do not place this product in direct sunlight, or near heat sources.
- Keep this product away from strong magnetic objects.

CARE

- Do not place any object containing water or other liquids on this product.
- Do not remove the cabinet. Touching parts inside the cabinet could result in electric shock and damage to the product.

NON-USE PERIODS

- When the product is not being used for a long period of time, unplug the product.

CLEANING

- Unplug the product before cleaning.
- When the system gets dirty, wipe it with a clean, soft cloth. If necessary, wipe it with a soft cloth, slightly dampened with soapy water. Wipe dry immediately with a dry cloth.
- Do not use abrasive cleaners, as they may damage the finish.

SERVICE

- Do not open the cabinet of any components. Opening the cabinets may present a shock hazard, and any modification to this product will void your warranty.
- Please refer any service to an authorized Amphony service center.

Limited warranty

WHAT YOUR WARRANTY COVERS

This warranty extends only to the original user of the equipment (“you”, “your”) and is limited to the purchase price of each part. Amphony and its affiliated companies (“we”, “our”, “us”) warrant this Wireless Audio Transmitter against defects in materials or workmanship as follows.

LABOR: For a period of ninety (90) days from the original date of purchase, if we determine that the equipment is defective subject to the limitations of this warranty, we will replace it at no charge for labor. We warrant any such work done against defects in materials or workmanship for the remaining portion of the original warranty period.

PARTS: For a period of one (1) year from the original date of purchase, we will supply, at no charge, new or rebuilt replacement parts in exchange for parts we determine are defective subject to the limitations of this warranty. We warrant any such replacement parts against defects in materials or workmanship for the remaining portion of the original warranty period.

Note: “Parts” means items included in this package. It does *not* include other parts purchased separately.

WHAT YOUR WARRANTY DOES NOT COVER

This warranty *does not cover* consumer instruction, physical setup or adjustment of any consumer electronic equipment, or signal transmission problems.

This warranty *does not cover* cosmetic damage, damage due to the affixing of any attachment not provided with the product, loss of parts, connecting the product to any but the specified receptacles, lightning, electrical surges, fire, flood, or other acts of God, accident, misuse, abuse, repair or alteration by other than authorized service personnel, negligence, commercial or institutional use, or improper or neglected maintenance.

This warranty *does not cover* equipment sold AS IS or WITH ALL FAULTS, equipment removal or reinstallation, shipping damage if the equipment was not packed and shipped in the manner we prescribe, nor equipment purchased, serviced, or operated outside the contiguous United States of America.

LEGAL LIMITATIONS

REPLACEMENT AS PROVIDED UNDER THIS WARRANTY IS YOUR EXCLUSIVE REMEDY. WE SHALL NOT BE HELD LIABLE FOR ANY INCIDENTAL OR CONSEQUENTIAL DAMAGES FOR BREACH OF ANY EXPRESSED OR IMPLIED WARRANTY ON THIS EQUIPMENT, NOR FOR ANY INCIDENTAL OR CONSEQUENTIAL DAMAGES RESULTING FROM THE USE OF, OR INABILITY TO USE, THIS EQUIPMENT. UNDER NO CIRCUMSTANCES SHALL OUR LIABILITY, IF ANY, EXCEED THE PURCHASE PRICE PAID FOR THIS EQUIPMENT, EXCEPT TO THE EXTENT PROHIBITED BY APPLICABLE LAW. EXCEPT AS PROVIDED HEREIN, WE MAKE NO WARRANTIES, EXPRESS OR IMPLIED, INCLUDING WARRANTIES OF MERCHANTABILITY AND FITNESS FOR A PARTICULAR PURPOSE. WE RESERVE THE RIGHT TO REFUSE TO HONOR THIS WARRANTY IF WE DETERMINE ANY OF THE ABOVE EXCEPTIONS TO HAVE CAUSED THIS EQUIPMENT NOT TO HAVE PERFORMED PROPERLY. THIS WARRANTY SHALL BE VOID IF ANY FACTORY-APPLIED IDENTIFICATION MARK, INCLUDING BUT NOT LIMITED TO SERIAL NUMBERS AND WARRANTY LABELS, HAS BEEN ALTERED OR REMOVED. THIS WARRANTY SHALL ALSO BE VOID IF THE TRANSMITTER OR AMPLIFIER HAVE BEEN OPENED BY AN UNAUTHORIZED PERSON.

This warranty gives you specific legal rights which may vary from state to state. Some states do not allow the exclusion or limitation of incidental or consequential damages, or allow limitations on the duration of an implied warranty, so those limitations may not apply to you.

Note: No responsibility is assumed for the presence of interference outside of Amphony's control, such as other transmitters or cordless phones, which may hamper proper signal reception.